

## Section 6

### PARTS LIST

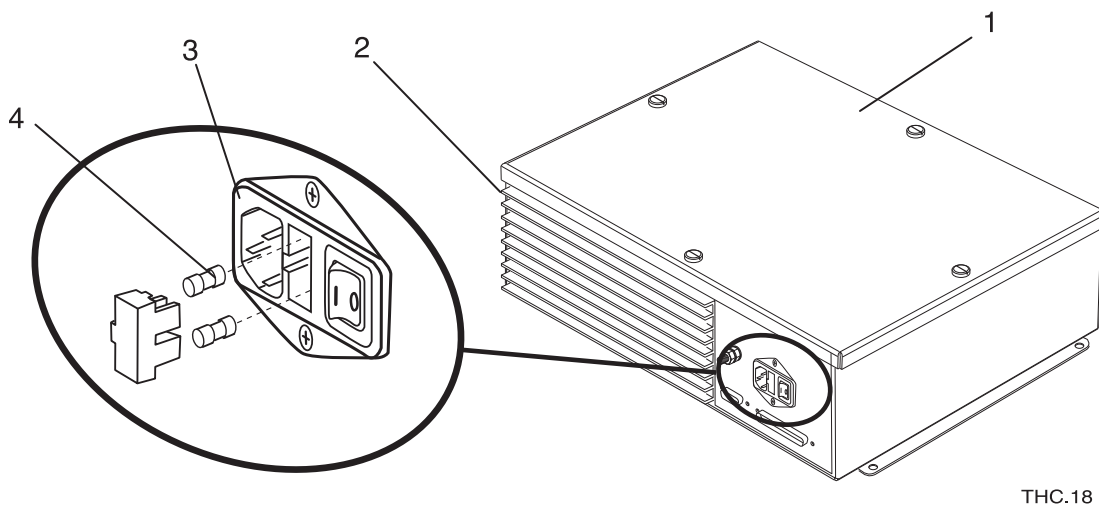
---

*In this section:*

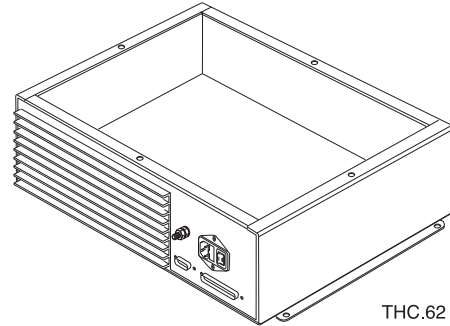
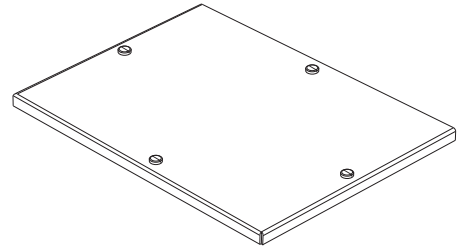
THC control module .....	6-2
Plasma interface assembly .....	6-4
2 rail X-Y lifter assembly .....	6-5
X-Y lifter torch mounting block kits .....	6-6
X-Y lifter breakaway kit – optional .....	6-7
Operator pendant .....	6-8
Power cords .....	6-8
Ohmic contact wire .....	6-9
Recommended spare parts .....	6-10
Interface cables .....	See Section 3a through 3j

**THC control module**

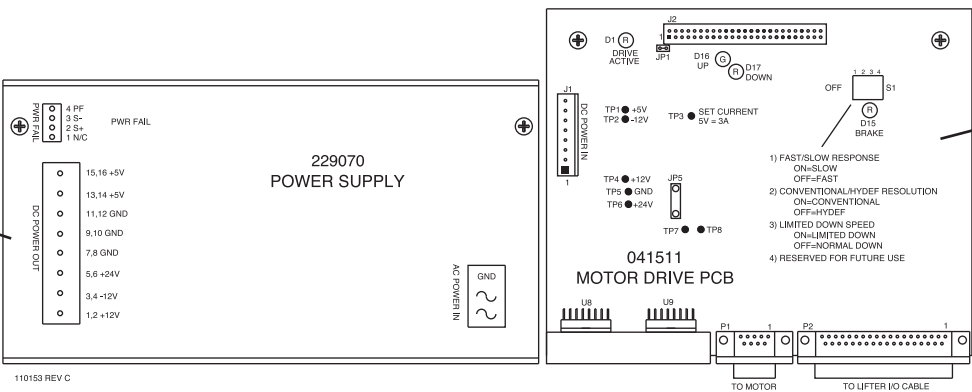
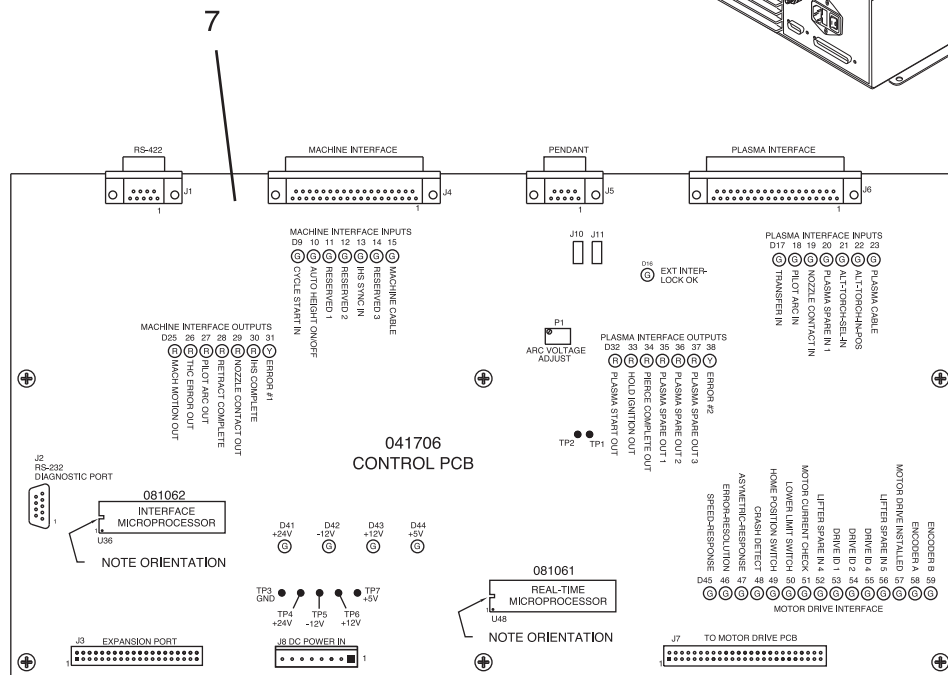
<u>Index no.</u>	<u>Part no.</u>	<u>Description</u>	<u>Quantity</u>
	<b>053018</b>	<b>THC control module</b>	<b>1</b>
1	002261	Enclosure, THC control module	1
	129067	Heatsink SA, THC control module	1
2	004705	Heatsink, THC	
3	005186	Module, power entry, fused filter	1
4	008971	Fuse, T,3.15 Amp H 250V 5 mm x 20 mm	2
5	229070	Power source, 130W (see Figure 6-2)	1
6	041511	PCB assembly, motor driver (see Figure 6-2)	1
7	128407	PCB assembly, control (see Fig. 6-2)	1
	081061	Firmware, real-time microprocessor	1
	081062	Firmware, interface microprocessor	1
8	123254	Cable, THC 50/C ribbon (not shown)	1
9	129066	Harness wiring THC (not shown)	1



**Figure 6-1 THC control module exterior**



THC.62



5

6

Figure 6-2 THC control module interior

# PARTS LIST

## Plasma interface assembly

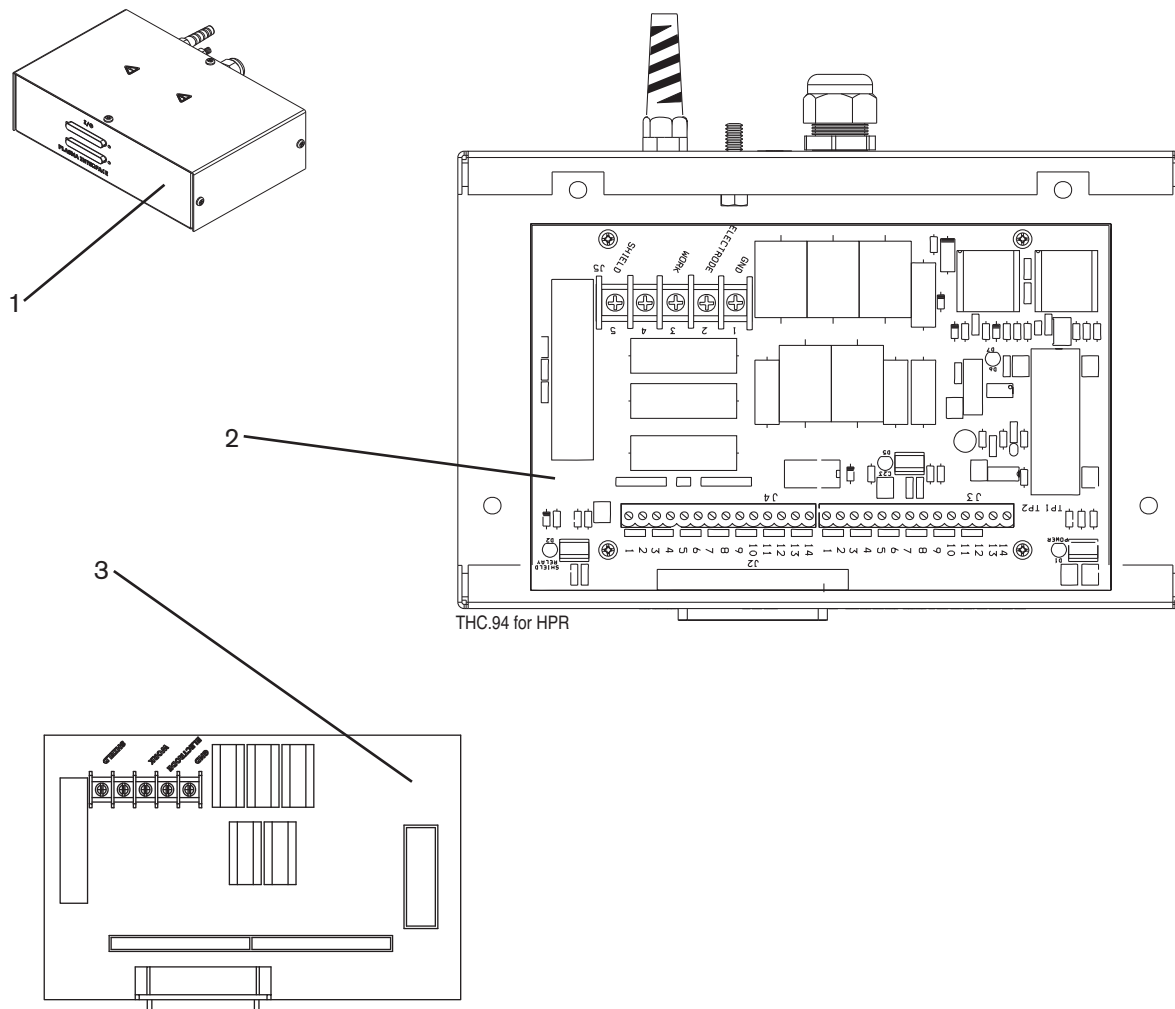
<u>Index no.</u>	<u>Part no.</u>	<u>Description</u>	<u>Quantity</u>
1	128494	Plasma interface assembly	1
2	128408	PC Board Assembly, plasma interface	1
3	041842	HPR PC Board Assembly, plasma interface	1

### HT4400 and HPR installation

**Note:** Instructions to install the plasma interface PCB into the HT4400 power supply are included in section 3h.

Instructions to install the plasma interface PCB into the HPR power supply are included in section 3i.

The plasma interface enclosure is not used for the HT4400.



**Figure 6-3 Plasma interface assembly**

## 2 rail X-Y lifter assembly

<u>Index no.</u>	<u>Part no.</u>	<u>Description</u>	<u>Quantity</u>
	<b>128606</b>	<b>X-Y lifter assembly</b>	<b>1</b>
1	128726	Encoder replacement kit	1
2	128727	Motor/Encoder replacement kit	1
3	027550	Brake, power off	1
4	129699	Assembly: leadscrew standard	1
	127154	Drive nut	1
5	128607	Band seal kit (length 32.3125")	1
6	027903	Block, driving	1
7	128190	Band roller kit	4 per lifter
8	027904	Rail and block, bearing	2
9	005195	Limit switch	2

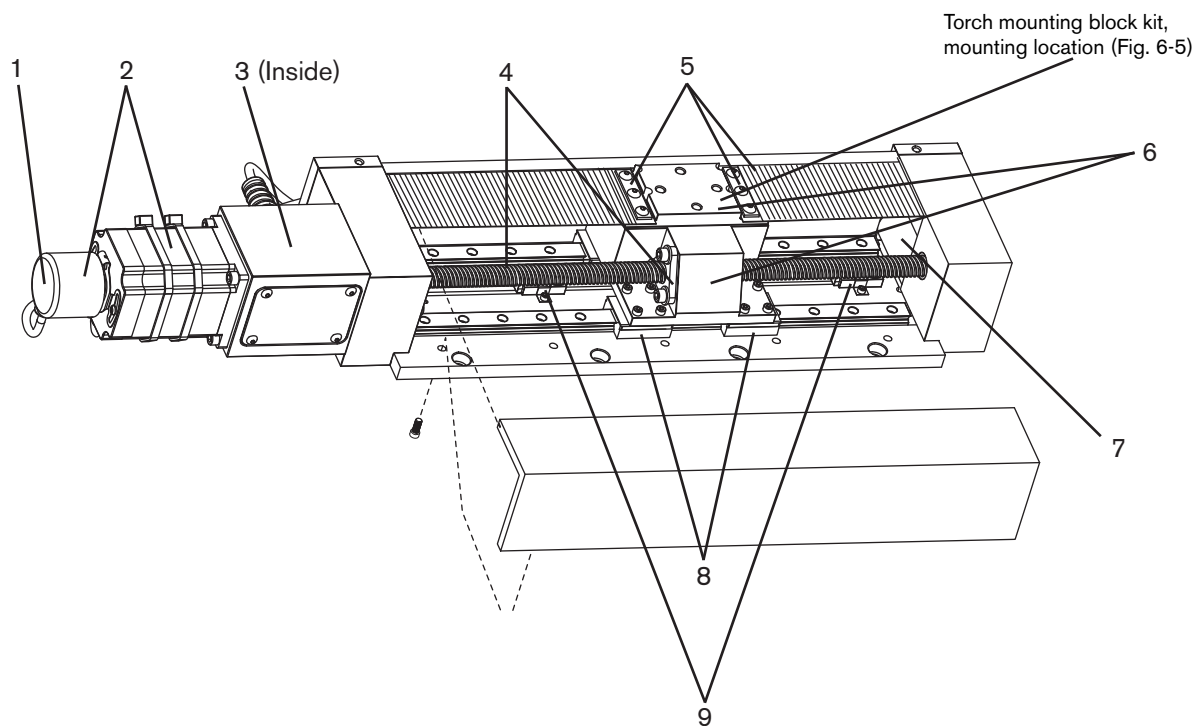
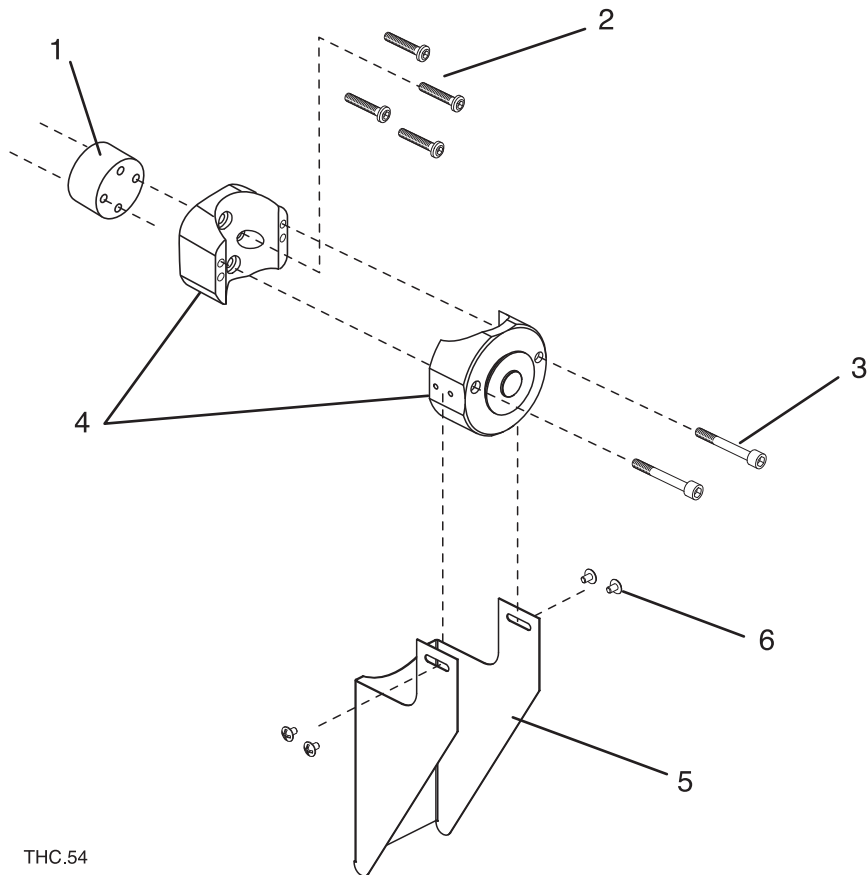


Figure 6-4 X-Y lifter assembly

# PARTS LIST

## X-Y lifter torch mounting block kits

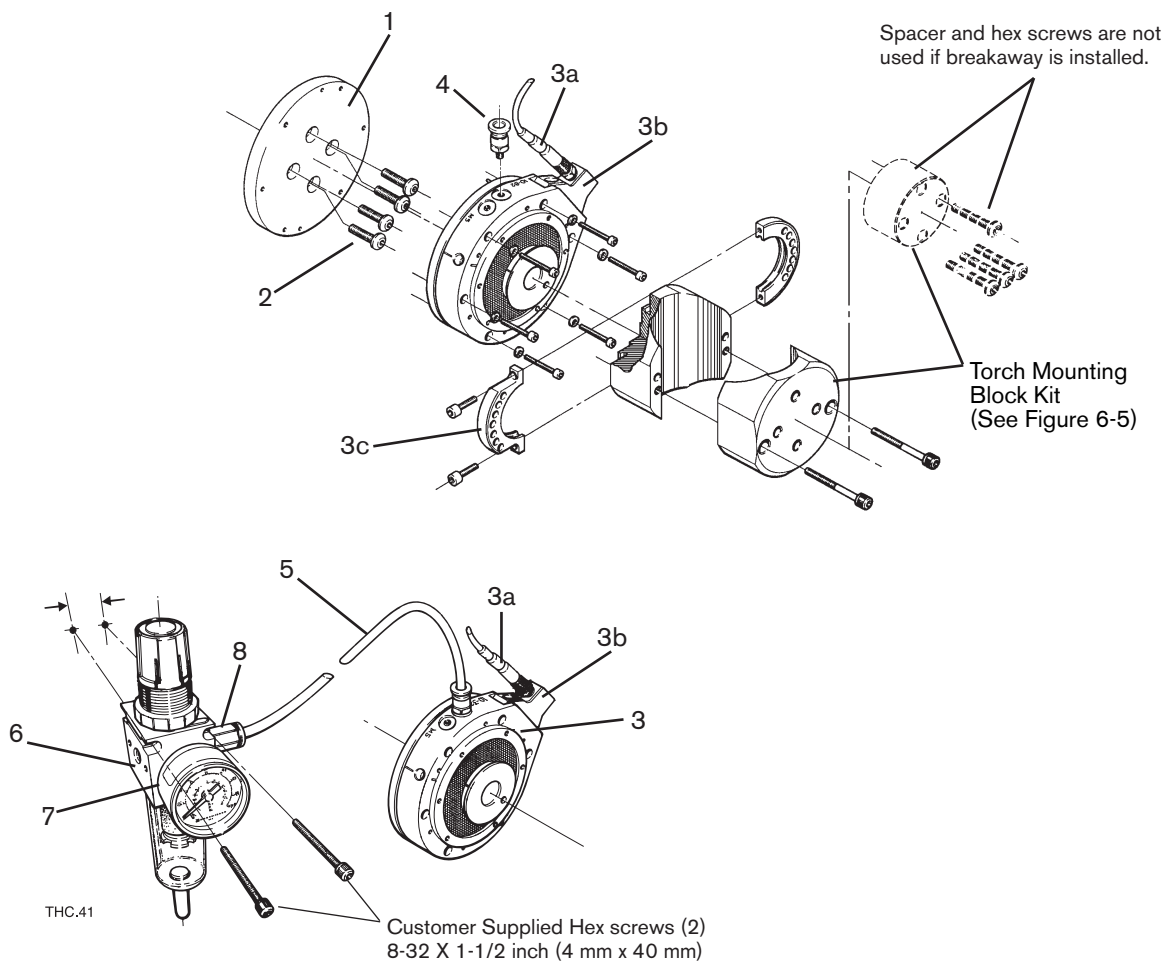
<u>Index no.</u>	<u>Part no.</u>	<u>Description</u>	<u>Quantity</u>
	<b>128277</b>	<b>Kit, torch mounting block, 1-3/8 inch diameter torch</b>	<b>1</b>
	<b>128278</b>	<b>Kit, torch mounting block, 1-3/4 Inch diameter torch</b>	<b>1</b>
	<b>128279</b>	<b>Kit, torch mounting block, 2 inch diameter torch</b>	<b>1</b>
1	004775	Spacer, Command THC mounting block	1
2	075127	Socket cap, 1/4-20 X 1-1/2 inch hex BTN S/Z	4
3	075583	Socket cap, 1/4-20 X 1-3/4 inch hex SST	2
4	120595	Block, 1-3/8 inch torch mounting (kit 128277)	1
4	120596	Block, 1-3/4 inch torch mounting (kit 128278)	1
4	120597	Block, 2 inch torch mounting (kit 128279)	1
5	002303	Shield	1
6	075071	Screw, 8-32 X 1/4 inch	4



**Figure 6-5 X-Y lifter torch mounting block kit**

**X-Y lifter breakaway kit – optional**

<u>Index no.</u>	<u>Part no.</u>	<u>Description</u>	<u>Quantity</u>
	<b>128281</b>	<b>Kit, X-Y lifter torch breakaway</b>	<b>1</b>
1	004774	Bracket, breakaway X-Y fiberglass	1
		Screw	6
2	075509	Socket cap, 1/4-20 X 1/2 inch hex BTN S/Z	4
3	027574	Breakaway, Command THC	1
3a	123596	Cable: CMD THC lifter torch breakaway	1
3b	127155	Proximity switch	1
3c	127156	Collar	1
4	015317	Connector, male 10-32 X 1/4 inch, push In tube	1
5	046078	Tubing, 1/4 inch O.D. Synflex	10 ft. (3m)
	129361	Regulator/Filter assembly	1
6	011039	Filter/Regulator	1
7	011038	Gauge, pressure 150 PSI (10.2 Bar) maximum	1
8	015285	Adapter, 1/8 inch NPT X 1/4 inch push-in tube	1

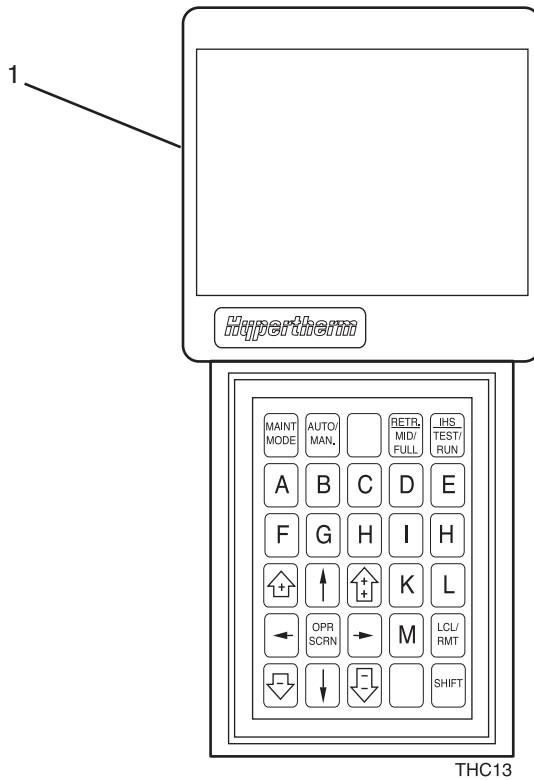


**Figure 6-6 X-Y lifter breakaway kit**

# PARTS LIST

## Operator pendant

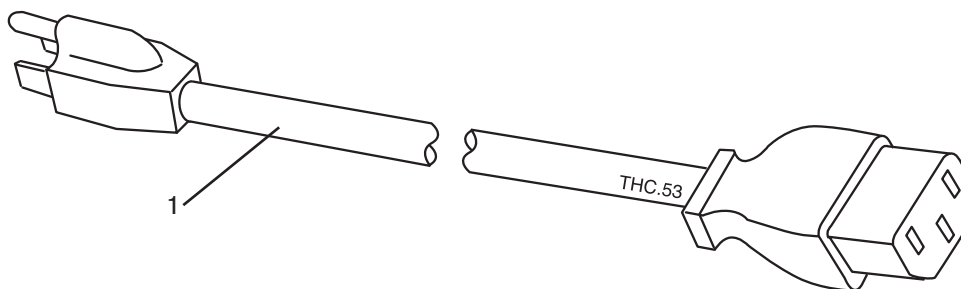
<u>Index no.</u>	<u>Part no.</u>	<u>Description</u>	<u>Quantity</u>
1	053019	Operator pendant, with 25 ft. cable	1
	027665	Protective cover (not shown)	1
	228057	Kit: cable replacement	1



**Figure 6-7 Operator pendant**

## Power cords

<u>Index no.</u>	<u>Part no.</u>	<u>Description</u>	<u>Quantity</u>
1	008960	Domestic power cord, 115 VAC	1
2	008961	International power cord, 230 VAC (not shown)	1

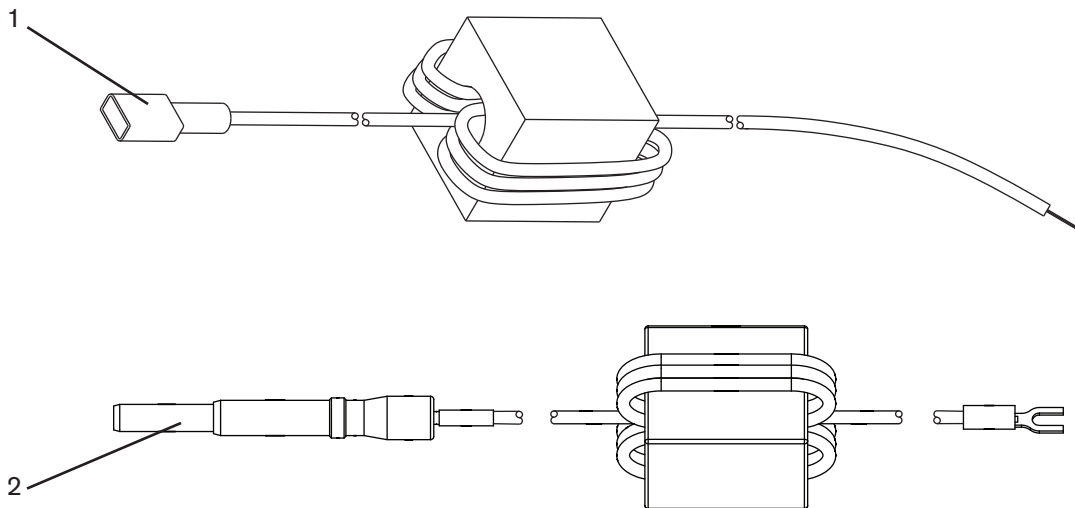


**Figure 6-9 Power cord**



**Ohmic contact wire**

<u>Index no.</u>	<u>Part no.</u>	<u>Description</u>	<u>Length</u>	<u>Quantity</u>
1	123464	Ohmic contact wire	10 ft./3 m	1
	123465		20 ft./6.1 m	
	123221		25 ft./7.6 m	
	123222		30 ft./9.1 m	
	123223		40 ft./12.2 m	
	123039		50 ft./15.2 m	
	123224		75 ft./23 m	
	123225		100 ft./30.5 m	
	123226		125 ft./38 m	
	123227		150 ft./45.6 m	
2	123983	HPR400XD ohmic contact wire	10 ft./3 m	1
	123984		20 ft./6.1 m	
	123985		25 ft./7.6 m	
	123986		30 ft./9.1 m	
	123987		40 ft./12.2 m	
	123988		50 ft./15.2 m	
	123989		75 ft./23 m	
	123990		100 ft./30.5 m	
	123991		150 ft./45.6 m	



**Figure 6-8 Ohmic contact wires**

## PARTS LIST

---

### Recommended spare parts

#### X-Y lifter assembly - 2 rail (128606)

<u>Part No.</u>	<u>Description</u>	<u>Quantity</u>
128607	Kit: torch lifter band-seal replacement	1
128190	Kit: lifter band replacement rollers	1

#### X-Y lifter assembly - 1 rail (128050 - old style)

<u>Part No.</u>	<u>Description</u>	<u>Quantity</u>
128189	Kit: torch lifter band seal replacement	1
128190	Kit: lifter band replacement rollers	1

#### X-Y lifter breakaway kit

<u>Part No.</u>	<u>Description</u>	<u>Quantity</u>
027574	Breakaway	1
123596	Cable: lifter breakaway	1
015317	Connector: male 10-32	1

#### Operator pendant

<u>Part No.</u>	<u>Description</u>	<u>Quantity</u>
053019	Pendant	1
228057	Kit: cable replacement	1